

IMPAC SERIES 600
Single Analog Box ICB 600-A



Quick-Start-Guide

Single Analog Box (ICB 600-A)



IMPAC SERIES 600

Single Analog Box ICB 600-A

1 Preliminary Technical Data

Power Supply:	24 V DC (18 ... 30 V DC), ripple < 0.5V (or supply via USB)
Power consumption:	Max. 50 mA
Analog output:	0 ... 20 mA or 4 ... 20 mA (linear),
Load:	Max. 500 Ω with external supply Max. 50 Ω with supply via USB
Resolution:	0.1°C on USB interface < 0.1% of set sub temperature range at analog output
Digital interface:	USB 2.0
Isolation:	Output, supply and USB not galvanically separated

Protection class:	IP 65 (DIN 40 050) with closed lid
Mounting orientation:	any
Operating temperature:	0 ... 70°C on housing
Storage temperature:	-20 ... +85°C
Rel. humidity:	Non-condensing conditions
Weight:	0.3 kg
Housing:	Aluminum
Dimensions:	98 mm x 64 mm x 34 mm (L x W x H)
Connection of Sensors:	3-pin terminal block
Connection USB:	Micro-USB Type B

CE-Mark:	According to EU directives for electromagnetic compatibility
----------	--

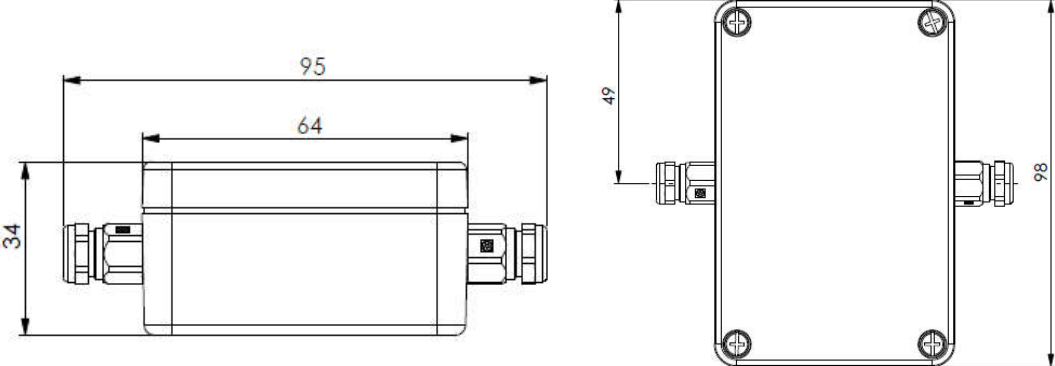
Relay contact:	1 Opto-Relay output, galvanically separated
Hysteresis:	Negative Hysteresis, 2 ... 20°C, adjustable
Switch capacity:	50 VDC; 0.2 A

Part number:	3 917 160
--------------	-----------

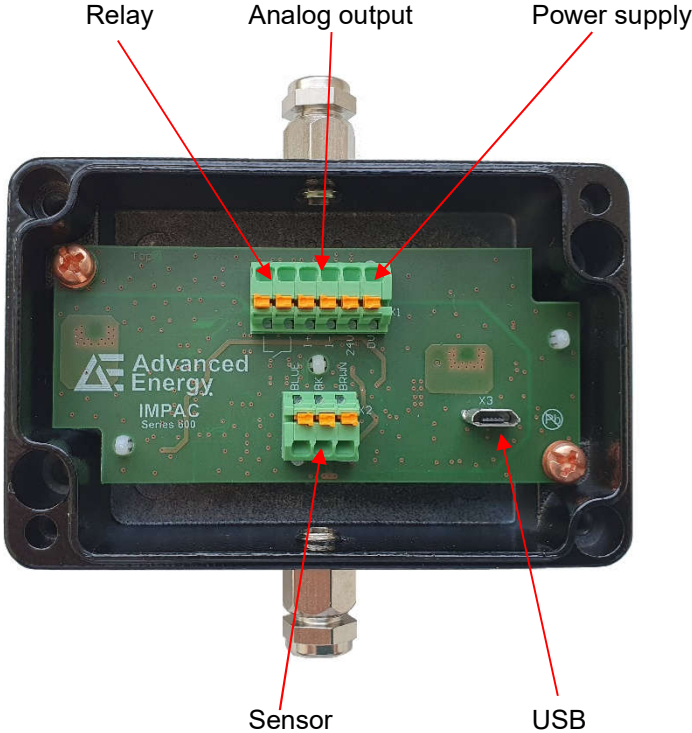
IMPAC SERIES 600 Single Analog Box ICB 600-A



2 Unit Dimensional Drawings



3 Connection



Connection and installation: see manual 57010228-00B

22.02.2021