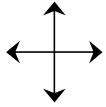


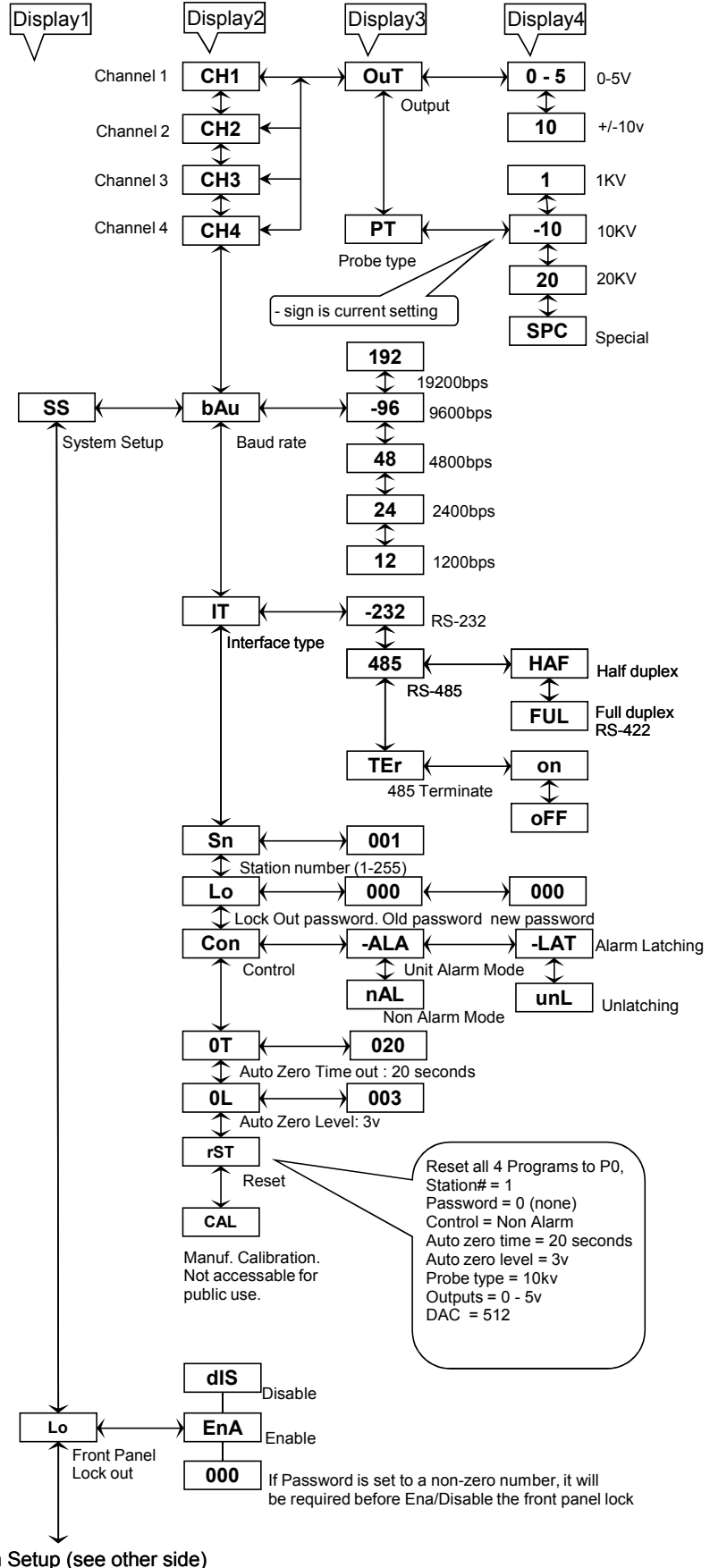
# Monroe 177A Front Panel Program Tree

Monroe 177A  
 Front Panel Setup Programming  
 Filename: 177AFrontPanelTree.xls  
 Jan 2012 CLH

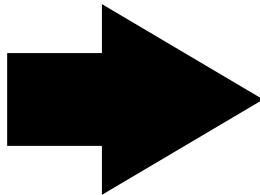


Up / Down / Left / Right  
 arrow keys

To start programming, press the [Setup] key  
 Press Up / Down / Left / Right key to move between the displays.  
 Press [Enter] to accept changes or perform the function  
 Press [Exit] to escape the changes or Exit setup

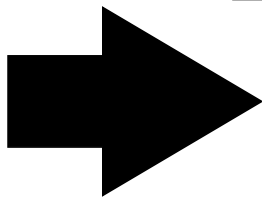


You are here  
 after pressing  
 the Setup key



To Program Setup (see other side)

You are here after pressing the Setup key



To System Setup (see other side)

