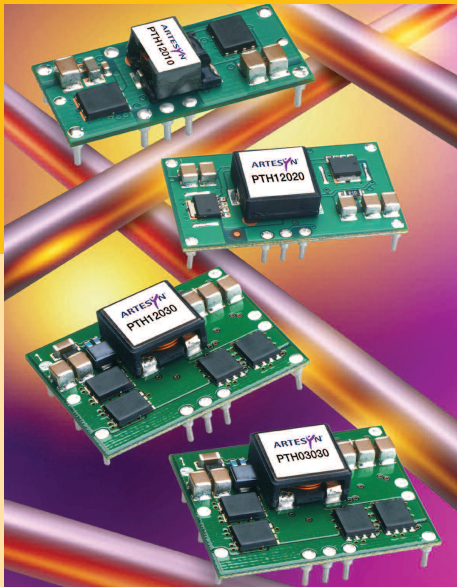




PTH05020 5Vin Single

Application Note 156

1. Introduction	2	3. Mechanical Information Cont'd	
2. System Interface Information		V _{out} Track	4
Input Capacitor	3	Margin Down	4
Ceramic Capacitor	3	Margin Up	4
Output Capacitance (Optional)	3		
Tantalum Capacitors	3	4. Packaging Information	
Capacitor Table	3	Packaging	5
		Labels and Part Numbering Sequence	5
3. Mechanical Information		5. Safety Information	
Mechanical Outline Drawings	4	Safety Standards and Approvals	5
Pin-out Table	4	Fuse Information	5
Pin Description	4	Safety Considerations	5
Ground	4		
V _{in}	4	6. Operating Information	
Inhibit	4	Overtemperature Protection (OTP)	6
V _o Adjust	4	Overcurrent Protection	6
V _o Sense	4	Soft-Start Power-up	6
		7. Feature Set	
		Adjusting the Output Voltage	7
		Output ON/OFF Inhibit	7
		Pre-bias Start-up Capability	8
		Margin Up/Down Controls	8
		Up/Down Adjust Resistance Calculation	8
		Remote Sense	9
		8. Thermal Information	
		Thermal Reference Points	9
		Safe Operating Curve	9
		Thermal Test Set-up	10
		9. Use in a Manufacturing Environment	
		Recommended Land Pattern	10
		10. Auto-Track™	
		Auto-Track™ Function	11
		How Auto-Track™ Works	11
		Typical Applications	11
		Notes on the Use of Auto-Track™	11



POLA
Point-of-Load Alliance



1. Introduction

The PTH family of non-isolated, wide-output adjust power modules from Artesyn Technologies are optimized for applications that require a flexible, high performance module that is small in size. These products are part of the “Point-of-Load Alliance” (POLA), which ensures compatible footprint, interoperability and true second sourcing for customer design flexibility. The POLA is a collaboration between Artesyn Technologies, Astec Power and Texas Instruments to offer customers advanced non-isolated modules that provide the same functionality and form factor. Product series covered by the alliance includes the PTHxx050W (6A), PTHxx060W (10A), PTHxx010W (15/12A), PTHxx020W (22/18A), and the PTHxx030W(30/26A).


From the basic, “Just Plug it In” functionality of the 6A modules, to the 30A rated feature-rich PTHxx030W, series these products were designed to be very flexible, yet simple to use. The features vary with each product series. Table 1 provides a quick reference to the available features by series and input bus voltage.

For simple point-of-use applications, the PTHxx050W series provides operating features such as an ON/OFF inhibit, output voltage trim, pre-bias start-up (3.3/5V input only), and overcurrent protection. The PTHxx060W (10A), and PTHxx010W (15/12A) series add an output voltage sense, and margin up/down controls. The higher output current, PTHxx020W and PTHxx030W series also incorporates overtemperature and shutdown protection. All of the products referenced in Table 1 include Auto-Track™.

This is a feature unique to the PTH family, and was specifically designed to simplify the task of sequencing the supply voltage in a power system. These and other features are described in the following sections.

SERIES	INPUT BUS	I _{OUT}	ADJUST TRIM	ON/OFF INHIBIT	OVER-CURRENT	PRE-BIAS STARTUP	AUTO-TRACK™*	MARGIN UP/DOWN	OUTPUT SENSE	THERMAL SHUTDOWN
PTHxx050	3.3V	6A	●	●	●	●	●			
	5V	6A	●	●	●	●	●			
	12V	6A	●	●	●		●			
PTHxx060	3.3V/5V	10A	●	●	●	●	●	●	●	
	12V	10A	●	●	●		●	●	●	
PTHxx010	3.3V/5V	15A	●	●	●	●	●	●	●	
	12V	12A	●	●	●		●	●	●	
PTHxx020	3.3V/5V	22A	●	●	●	●	●	●	●	●
	12V	18A	●	●	●		●	●	●	●
PTHxx030	3.3V/5V	30A	●	●	●	●	●	●	●	●
	12V	26A	●	●	●	●	●	●	●	●

Table 1 - Operating Features by Series and Input Bus Voltage

RoHS Compliance Ordering Information	
	PTH05020WAST To order Pb-free (RoHS compatible) surface-mount parts replace the mounting option ‘S’ with ‘Z’, e.g. PTH05020WAZT. To order Pb-free (RoHS compatible) through-hole parts replace the mounting option ‘H’ with ‘D’, e.g. PTH05020WADT.

*Auto-track™ is a trade mark of Texas Instruments



2. System Interface Information

2.1 Input Capacitor

The recommended input capacitance is determined by 700mA rms minimum ripple current rating and $1000\mu\text{F}^1$ minimum capacitance.

Ripple current and $<100\text{m}\Omega$ equivalent series resistance (ESR) values are the major considerations, along with temperature, when designing with different types of capacitors. Tantalum capacitors have a recommended minimum voltage rating of 2 x (max. DC voltage + AC ripple). This is necessary to insure reliability for input voltage bus applications.

2.1.1 Ceramic Capacitors

Ceramic capacitors can be substituted for electrolytic types using the minimum capacitance, for improved ripple reduction on the input bus.

2.2 Output Capacitance (Optional)

The recommended ESR of the output capacitor is equal to or less than $150\text{m}\Omega$. Electrolytic capacitors have marginal ripple performance at frequencies greater than 400kHz but excellent low frequency transient response. Above the ripple frequency, ceramic capacitors are necessary to improve the transient response and reduce any high frequency noise components apparent during higher current excursions. Preferred low-ESR capacitor part numbers are identified in Table 2.

2.2.1 Tantalum Capacitors

Tantalum type capacitors can be used for the output but only the AVX TPS, Sprague 593D/594/595 or Kemet T495/T510 series. These capacitors are recommended over many other tantalum types due to their higher rated surge, power dissipation, and ripple current capability. As a caution, the TAJ series by AVX is not recommended. This series has considerably higher ESR, reduced power dissipation, and lower ripple current capability. The TAJ series is also less reliable than the AVX TPS series when determining power dissipation capability. Tantalum or Oscon® types are recommended for applications where ambient temperatures fall below 0°C.

2.2.2 Capacitor Table

Table 2 identifies the characteristics of capacitors from a number of vendors with acceptable ESR and ripple current (rms) ratings. The number of capacitors required at both the input and output buses is identified for each capacitor type.

This is not an extensive capacitor list. Capacitors from other vendors are available with comparable specifications. Those listed are for guidance. The RMS ripple current rating and ESR (at 100kHz) are critical parameters necessary to insure both optimum regulator performance and long-term reliability.

CAPACITOR VENDOR/ SERIES	CAPACITOR CHARACTERISTICS					QUANTITY		VENDOR PART NUMBER
	WORKING VOLTAGE	VALUE (μF)	(ESR) EQUIVALENT SERIES RESISTANCE	105°C MAX RIPPLE CURRENT (rms)	PHYSICAL SIZE (mm) (L X W)	INPUT BUS	OPTIONAL OUTPUT BUS	
Panasonic FC (Radial) FK (SMT)	10V	560	0.090 Ω	755mA	10 x 12.5	2	1	EEUFC1A561 EEUFC1A102 EEVFK1E102Q EEVFK1A102P
	10V	1000	0.068 Ω	1050mA	10 x 16	1	1	
	25V	1000	0.060 Ω	1100mA	12.5 x 13.5	1	1	
	10V	1000	0.080 Ω	850mA	10 x 10.2	1	1	
United Chemi-Con LXZ Series FX PXA (SMT)	6.3V	470	0.020 Ω	4130mA	10 x 7.7	2 (1)	1	PXA6.3VC471MJ80TP 6FX1000M LXZ10VB681M10X12LL LXZ10VB102M10X16LL
	6.3V	1000	0.013 Ω	4935mA	10 x 10.5	1	1	
	10V	680	0.090 Ω	760mA	10 x 12.5	2	1	
	10V	1000	0.068 Ω	1050mA	10 x 16	1	1	
Nichicon PM Series NA NX (SMT)	6.3V	470	0.020 Ω	4130mA	10 x 8	2 (1)	1	PNX0J471MCA1GS PNA1A471M1 UPM1A102MPH6 UPM1C102MHH6
	10V	470	0.018 Ω	4400mA	10 x 8	2 (1)	1	
	10V	1000	0.065 Ω	1060mA	16 x 15	1	1	
	16V	1000	0.055 Ω	4400mA	10 x 10	1	1	
SANYO Os-con®: SP SVP (SMT)	10V	470	0.015 Ω	>4500mA	10 x 10.5	2 (1)	1	10SP470M 10SVP560M
	10V	560	0.013 Ω	>5200mA	11 x 12.7	2	1	
AVX Tantalum TPS (SMT)	10V	470	0.045 Ω	1723mA	7.3 x 5.7	2 (1)	1	TPSE477M010R0045 TPSV477M010R0060
	10V	470	0.060 Ω	1826mA	7.3 x 5.7	2 (1)	1	
Kemet Polymer Tantalum T520/T530 Series (SMT)	10V	330	0.040 Ω	1800mA	4.3 x 7.3	3	1	T520X337M010AS T530X337M010AS
	10V	330	0.015 Ω	>3800mA	4.3 x 7.3	3	1	
Sprague Tantalum 595D Series (SMT)	10V	470	0.100 Ω	1440mA	7.2 x 6	2 (1)	1	595D477X0010R2T

(1) Total capacitance of 940 μF is acceptable based on the combined ripple current rating.

Table 2 - Recommended Input/Output Capacitors

3. Mechanical Information

3.1 Mechanical Outline Drawings

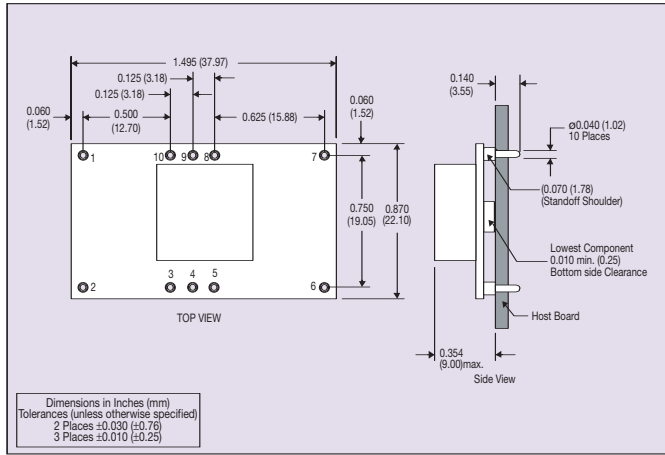


Figure 1 - Plated Through-Hole Mechanical Drawing

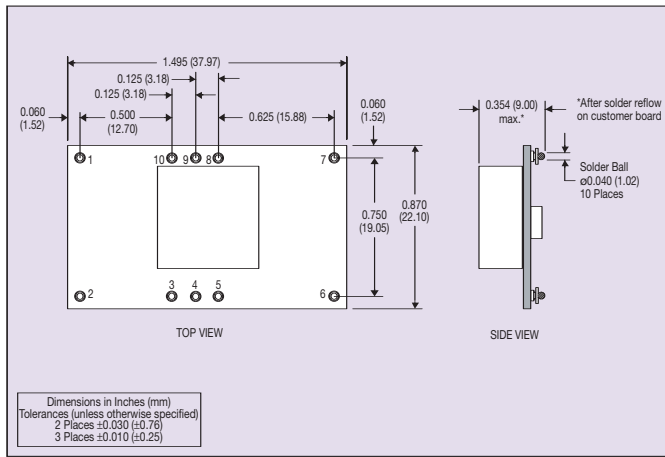


Figure 2 - Surface Mount Mechanical Drawing

3.2 Pin-out Table

PIN CONNECTIONS	
PIN NUMBER	FUNCTION
1	Ground
2	V _{in}
3	Inhibit
4	V _o adjust
5	V _o sense
6	V _{out}
7	Ground
8	Track
9	Margin down
10	Margin up

Table 3 - Pin Connections

3.3 Pin Description

3.3.1 Ground

This is the common ground connection for the V_{in} and V_{out} power connections. It is also the 0VDC reference for the control inputs.

3.3.2 V_{in}

The positive input voltage power node to the module, which is referenced to common GND.

3.3.3 Inhibit

The Inhibit pin is an open-collector/drain negative logic input that is referenced to GND. Applying a low level ground signal to this input disables the module's output and turns off the output voltage. When the Inhibit control is active, the input current drawn by the regulator is significantly reduced. If the Inhibit pin is left open-circuit, the module will produce an output whenever a valid input source is applied.

3.3.4 V_o Adjust

A 0.1W, 1% tolerance (or better) resistor must be connected directly between this pin and pin 7 (GND) pin to set the output voltage to the desired value. The set point range for the output voltage is from 0.8V to 3.6V. The resistor required for a given output voltage may be calculated from the following formula. If left open circuit, the module output will default to its lowest output voltage value.

$$R_{set} = 10K \times \frac{0.8V}{V_{out} - 0.8V} - 2.49 \text{ k}\Omega$$

3.3.5 V_o Sense

The sense input allows the regulation circuit to compensate for voltage drop between the module and the load. For optimal voltage accuracy V_o Sense should be connected to V_{out}. It can also be left disconnected.

3.3.6 V_{out}

The regulated positive power output with respect to the GND node.

3.3.7 Track

This is an analog control input that allows the output voltage to follow another voltage during power-up and power-down sequences. The pin is active from 0V up to the nominal set-point voltage. Within this range the module's output will follow the voltage at the Track pin on a volt-for-volt basis. When the control voltage is raised above this range, the module regulates at its nominal output voltage. If unused, this input maybe left unconnected. For further information consult section 10.

3.3.8 Margin Down

When this input is asserted to GND, the output voltage is decreased by 5% from the nominal. The input requires an open-collector (open-drain) interface. It is not TTL compatible. A lower percent change can be accomodated with a series resistor.

3.3.9 Margin Up

When this input is asserted to GND, the output voltage is increased by 5%. The input requires an open-collector (open-drain) interface. It is not TTL compatible. The percent change can be reduced with a series resistor.

4. Packaging Information

4.1 Packaging

The PTH05020 are available in trays of 15 units and tape and reel format in quantities of 150 units per reel. Tray dimensions including pick point are shown in Figure 4.

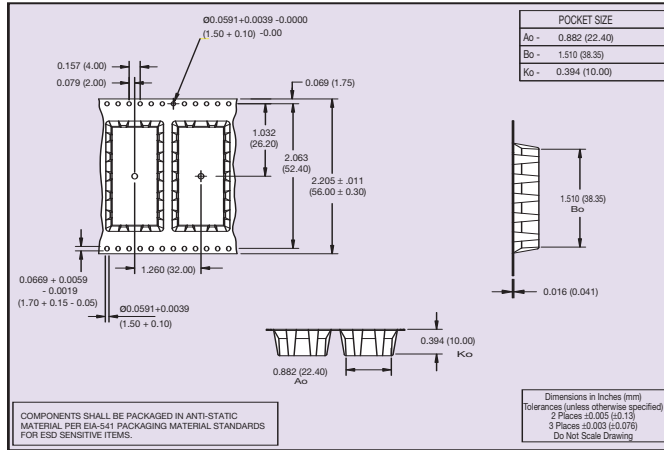


Figure 3 - Tape Dimensions

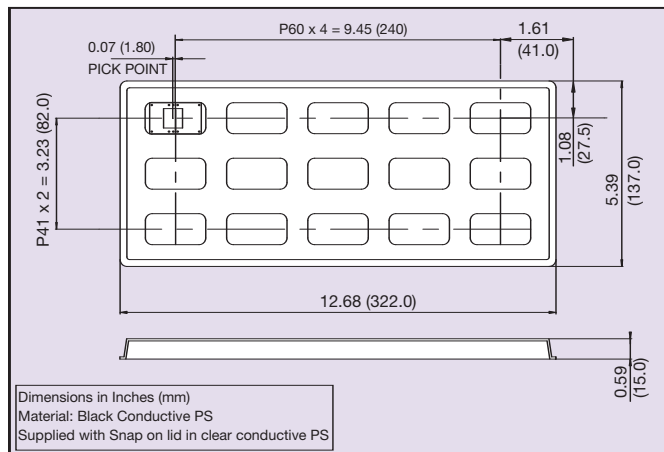


Figure 4 - Tray

4.2 Labels and Part Numbering Sequence

All units in the series will be clearly marked to allow ease of identification for the end user. Figure 5 gives details of all the models.

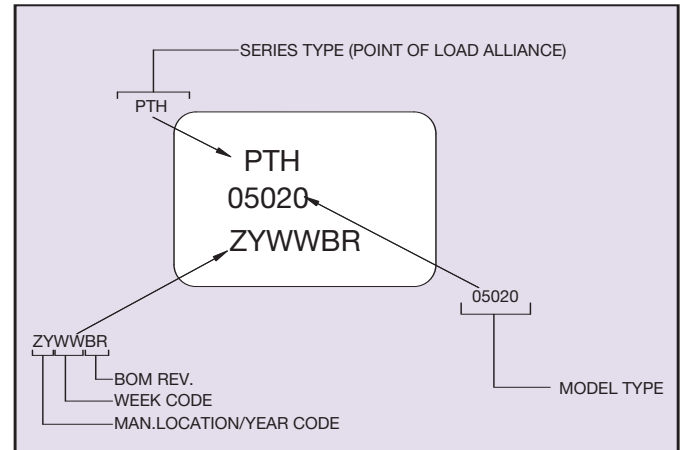


Figure 4 - PTH05020 Part Numbering

5. Safety Information

5.1 Safety Standards and Approvals

All models will have full international safety approval including EN60950 and UL/cUL1950. Models have been submitted to independent safety agencies for approval.

5.2 Fuse Information

Any suitable value fuse (based on the input ratings) maybe used in the unearthed input line. However this is not required for compliance with safety.

5.3 Safety Considerations

The converter must be installed as per guidelines outlined by the various safety agency approvals, if safety agency approval is required for the overall system.

6. Operating Information

6.1 Overtemperature Protection (OTP)

Only the PTHxx020 and PTHxx030 series of products have overtemperature protection. These products have an on-board temperature sensor that protects the module’s internal circuitry against excessively high temperatures. A rise in the internal temperature may be the result of a drop in airflow, or a high ambient temperature. If the internal temperature exceeds the OTP threshold (see datasheet specifications), the module’s Inhibit control is automatically pulled low. This disables the regulator allowing the output voltage to drop to zero. (The external output capacitors will be discharged by the load circuit). The recovery is automatic, and begins with a soft-start power up. It occurs when the the sensed temperature decreases by about 10°C below the trip point.

Note

The overtemperature protection is a last resort mechanism to prevent thermal stress to the regulator. Operation at or close to the thermal shutdown temperature is not recommended and will reduce the long-term reliability of the module. Always operate the regulator within the specified Safe Operating Area (SOA) limits for the worst-case conditions of ambient temperature and airflow.

6.2 Overcurrent Protection

For protection against load faults, all modules incorporate output overcurrent protection. Applying a load that exceeds the regulator’s overcurrent threshold will cause the regulated output to shut down. Following shutdown a module will periodically attempt to recover by initiating a soft-start power-up. This is described as a “hiccup” mode of operation, whereby the module continues in the cycle of successive shutdown and power up until the load fault is removed. During this period, the average current flowing into the fault is significantly reduced. Once the fault is removed, the module automatically recovers and returns to normal operation.

6.3 Soft-Start Power-Up

The Auto-Track feature allows the power-up of multiple PTH modules to be directly controlled from the Track pin. However in a stand-alone configuration, or when the Auto-Track feature is not being used, the Track pin should be directly connected to the input voltage, V_{in} (see Figure 6).

When the Track pin is connected to the input voltage the Auto-Track function is permanently disengaged. This allows the module to power up entirely under the control of its internal soft-start circuitry. When power up is under soft-start control, the output voltage rises to the set-point at a quicker and more linear rate.

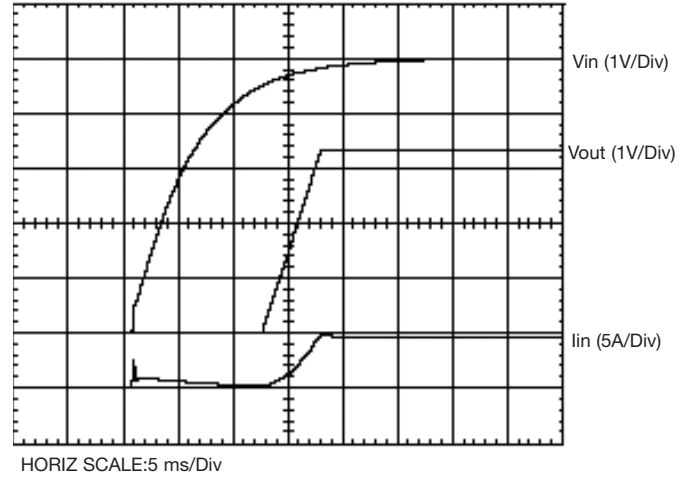


Figure 7 - Power-up Characteristic

From the moment a valid input voltage is applied, the soft-start control introduces a short time delay (typically 5ms to 10ms) before allowing the output voltage to rise. The output then progressively rises to the module’s setpoint voltage. Figure 7 shows the soft-start power-up characteristic of the 22A output product (PTH05020W), operating from a 5V input bus and configured for a 3.3V output. The waveforms were measured with a 5A resistive load, with Auto-Track disabled. The initial rise in input current when the input voltage first starts to rise is the charge current drawn by the input capacitors. Power-up is complete within 15ms

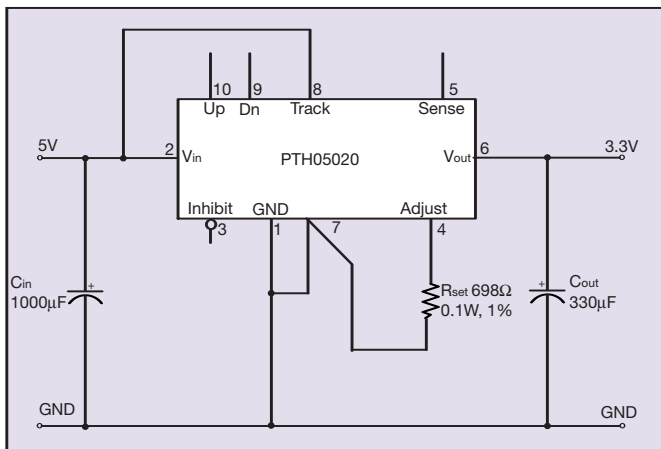


Figure 6 - Soft-Start Power-up

7. Feature Set

7.1 Adjusting the Output Voltage of the PTH05020

The V_o adjust control (pin 4) sets the output voltage of the PTH05020 product. The adjustment range is from 0.8V to 3.6V. The adjustment method requires the addition of a single external resistor, R_{set} , that must be connected directly between the V_o Adjust and GND pins¹. Table 4 gives the preferred value for the external resistor for a number of standard voltages, along with the actual output voltage that this resistance value provides.

For other output voltages the value of the required resistor can either be calculated using the following formula, or simply selected from the range of values given in Table 5. Figure 8 shows the placement of the required resistor.

$$R_{set} = 10K \times \frac{0.8V}{V_{out} - 0.8V} - 2.49 \text{ k}\Omega$$

V_{out} Standard	R_{set} (Preferred Value)	V_{out} (Actual)
3.3V	698k Ω	3.309V
2.5V	2.21k Ω	2.502V
2.0V	4.12k Ω	2.010V
1.8V	5.49k Ω	1.803V
1.5V	8.87k Ω	1.504V
1.2V	17.4k Ω	1.202V
1.0V	36.5k Ω	1.005V
0.8V	Open	0.8V

Table 4 - Preferred Values of R_{set} for Standard Output Voltages

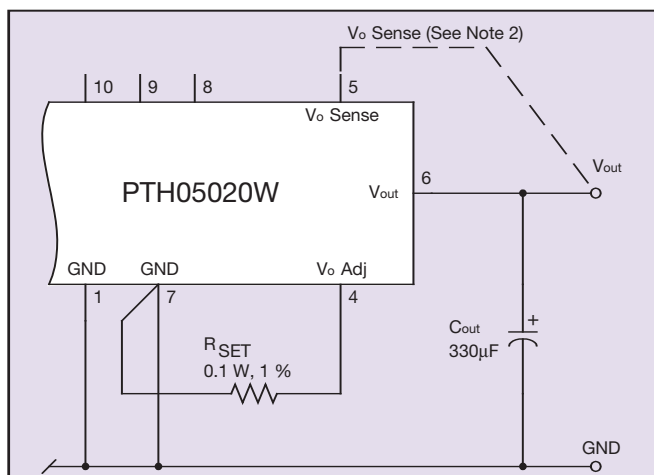


Figure 8 - Adjust Resistor Placement

OUTPUT VOLTAGE SET-POINT RESISTOR VALUES					
V_a Req'd	R_{set}	V_a Req'd	R_{set}	V_a Req'd	R_{set}
0.800	Open	1.400	10.8k Ω	2.50	2.22k Ω
0.825	318k Ω	1.425	10.3k Ω	2.55	2.08k Ω
0.850	158k Ω	1.450	9.82k Ω	2.60	1.95k Ω
0.875	104k Ω	1.475	9.36k Ω	2.65	1.83k Ω
0.900	77.5k Ω	1.50	8.94k Ω	2.70	1.72k Ω
0.925	61.5k Ω	1.55	8.18k Ω	2.75	1.61k Ω
0.950	50.8k Ω	1.60	7.51k Ω	2.80	1.51k Ω
0.975	43.2k Ω	1.65	6.92k Ω	2.85	1.41k Ω
1.000	37.5k Ω	1.70	6.4k Ω	2.90	1.32k Ω
1.025	33.1k Ω	1.75	5.93k Ω	2.95	1.23k Ω
1.050	29.5k Ω	1.80	5.51k Ω	3.00	1.15k Ω
1.075	26.6k Ω	1.85	5.13k Ω	3.05	1.07k Ω
1.100	24.2k Ω	1.90	4.78k Ω	3.10	988 Ω
1.125	22.1k Ω	1.95	4.47k Ω	3.15	914 Ω
1.150	20.4k Ω	2.00	4.18k Ω	3.20	843 Ω
1.175	18.8k Ω	2.05	3.91k Ω	3.25	775 Ω
1.200	17.5k Ω	2.10	3.66k Ω	3.30	710 Ω
1.225	16.3k Ω	2.15	3.44k Ω	3.35	647 Ω
1.250	15.3k Ω	2.20	3.22k Ω	3.40	587 Ω
1.275	14.4k Ω	2.25	3.03k Ω	3.45	529 Ω
1.300	13.5k Ω	2.30	2.84k Ω	3.50	473 Ω
1.325	12.7k Ω	2.35	2.67k Ω	3.55	419 Ω
1.350	12.1k Ω	2.40	2.51k Ω	5.60	367 Ω
1.375	11.4k Ω	2.45	2.36k Ω		

Notes:

- 1 Use a 0.1W resistor, with a tolerance of 1% (or better). Place the resistor as close to the regulator as possible. Connect the resistor directly between pins 4 and 7 using dedicated PCB traces.
- 2 Never connect capacitors from V_o Adjust to either GND or V_{out} . Any capacitance added to the V_o Adjust pin will affect the stability of the regulator.

Table 5 - Output Voltage Set-point Resistor Values

7.2 Output ON/OFF Inhibit

For applications requiring output voltage ON/OFF control, each series of the PTH family incorporates an output Inhibit control pin. The inhibit feature can be used wherever there is a requirement for the output voltage from the regulator to be turned OFF.

The power modules function normally when the Inhibit pin is left open-circuit, providing a regulated output whenever a valid source voltage is connected to V_{in} with respect to GND. Figure 9 shows the typical application of the inhibit function. Note the discrete transistor (Q1). The Inhibit control has its own internal pull-up to $+V_{in}$ potential. An open-collector or open-drain device is recommended to control this input.

Turning Q1 on applies a low voltage to the Inhibit control pin and disables the output of the module. If Q1 is then turned off, the module will execute a soft-start power-up sequence. A regulated output voltage is produced within 20ms. Figure 9 shows the typical rise in both the output voltage and input current, following the turn-off of Q1. The turn off of Q1 corresponds to the rise in the waveform, Q1 V_{DS} . The waveforms were measured with a 5A load.

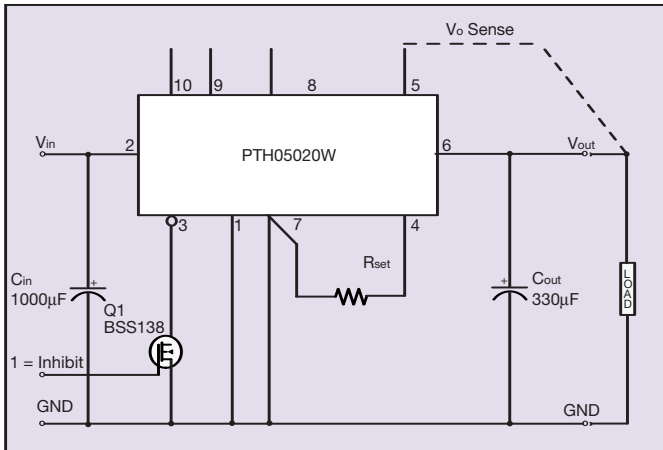


Figure 9 - Typical Application of the Inhibit Function

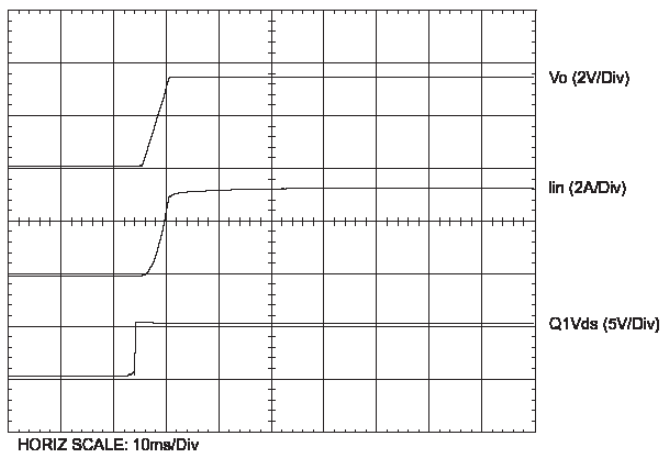


Figure 10 - Typical Rise in Output Voltage and Input Current

7.3 Pre-Bias Startup Capability

Only selected products in the PTH family incorporate this capability. Consult Table 1 to identify which product series are compliant.

In complex digital systems an external voltage can sometimes be present at the output of the module during power up. This voltage may be backfed through a dual supply logic component, such as an FPGA or ASIC. Another path might be via a clamp diode (to a lower supply voltage) as part of a power-up sequencing implementation.

Although the PTH family of modules can sink current under steady-state operating conditions, those that incorporate this capability will not do so during the soft-start cycle¹, or whenever the Inhibit pin is held low. However, to ensure the satisfactory operation of this feature certain conditions must be maintained during the application of input power².

Note

The pre-bias start-up feature is not compatible with Auto-Track™. This is because when the module is under Auto-Track™ control, it is fully active and will sink current if the output voltage is below that of a back-feeding source. Therefore to ensure a pre-bias hold-off, one of the following two techniques must be followed when input power is first applied to the module. The Auto-Track™ function must either be disabled³, or the module’s output held off using the Inhibit pin. The latter allows Auto-Track’s internal RC charge ramp to rise above the setpoint voltage.

Notes:

- 1 The soft-start cycle is a relatively short period (up to 20ms) that immediately follows either the application of a valid input source voltage, or the release of a ground signal at the Inhibit pin
- 2 To ensure that the regulator does not sink current when power is first applied (even with a ground signal applied to the Inhibit control pin), the input voltage must always be greater than the output voltage through-out the power-up and power-down sequence.
- 3 The Auto-Track™ function can be disabled at power up by immediately applying a voltage to the module’s Track pin that is greater than its set-point voltage. This can be easily accomplished by pulling the Track pin up to Vin through a 1kΩ resistor.

7.4 Margin Up/Down Controls

The PTHxx060W, PTHxx010W, PTHxx020W, and PTHxx030W module series incorporate Margin Up and Margin Down control inputs. These controls allow the output voltage set point to be momentarily adjusted¹, either up or down, by a nominal 5%. This provides a convenient method for dynamically testing the operation of the load circuit over its power supply margin or range. The ±5% change is applied to the adjusted output voltage as set by the external resistor, Rset at the Vo Adjust pin.

The 5% adjustment is made by driving the appropriate margin control input directly to the GND terminal². A low-leakage open-drain device, such as a MOSFET or p-channel JFET is recommended for this purpose. Adjustments of less than 5% can also be accommodated by adding series resistors to the control inputs (See Figure 11). The value of the resistor can be selected from Table 6 or calculated using the following formula.

7.4.1 Up/Down Adjust Resistance Calculation

To reduce the margin adjustment to something less than 5%, series resistors are required (See RD and RU in Figure 11). For the same amount of adjustment, the resistor value calculated for RD and RU will be the same. The formulas is as follows.

$$R_u \text{ or } R_d = \frac{499}{\Delta\%} - 99.8 \text{ k}\Omega$$

Where Δ% = The desired amount of margin adjust in percent.

Notes

- 1 The Margin Up and Margin Down controls were not intended to be activated simultaneously. If they are their affects on the output voltage may not completely cancel, resulting in the possibility of a slightly higher error in the output voltage set point.
- 2 The ground reference should be a direct connection to the module GND at pin 7 (pin 1 for the PTHxx050). This will produce a more accurate adjustment at the load circuit terminals. The transistors Q1 and Q2 should be located close to the regulator.

% ADJUST	RU/RD
5	0.0kΩ
4	24.9kΩ
3	66.5kΩ
2	150.0kΩ
1	397.0kΩ

Table 6 - Margin Up/Down Resistor Values

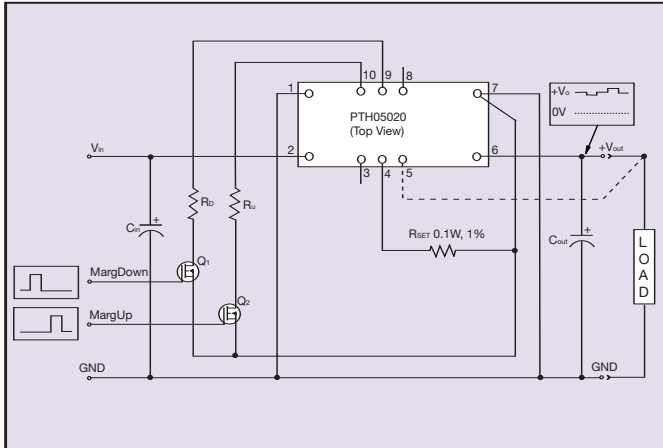


Figure 11 - Margin Up/Down Application Schematic

7.5 Remote Sense

The PTHxx010W, PTHxx020W, and PTHxx030W products incorporate an output voltage sense pin, V_o Sense. The V_o Sense pin should be connected to V_{out} at the load circuit (see datasheet standard application). A remote sense improves the load regulation performance of the module by allowing it to compensate for any 'IR' voltage drop between itself and the load. An IR drop is caused by the high output current flowing through the small amount of pin and trace resistance. Use of the remote sense is optional. If not used, the V_{out} Sense pin can be left open/circuit. An internal low-value resistor (15Ω or less) is connected between the V_o Sense and V_{out} , ensuring that the output voltage remains in regulation.

With the sense pin connected, the difference between the voltage measured directly between the V_{out} and GND pins, and that measured from V_{out} sense to GND, is the amount of IR drop being compensated by the regulator. This should be limited to a maximum of 0.3V.

Note: The remote sense feature is not designed to compensate for the forward drop of non-linear or frequency dependent components that may be placed in series with the converter output. Examples include OR-ing diodes, filter inductors, ferrite beads, and fuses. When these components are enclosed by the remote sense connection they are effectively placed inside the regulation control loop, which can adversely affect the stability of the regulator.

8. Thermal Information

8.1 Thermal Reference Points

The electrical operating conditions namely:

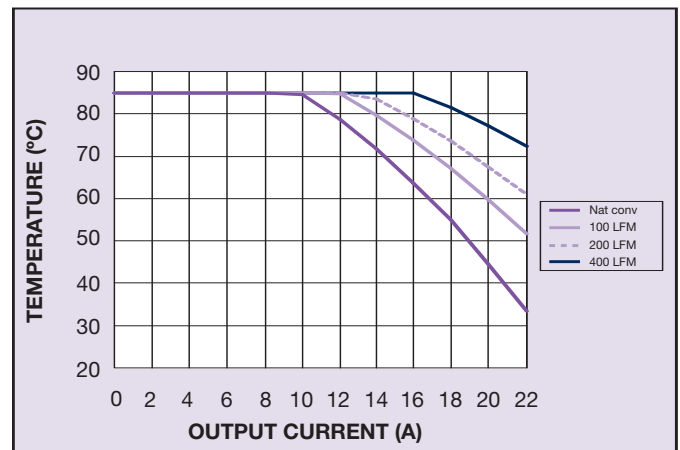
- Input voltage, V_{in}
- Output voltage, V_o
- Output current, I_o

determine how much power is dissipated within the converter. The following parameters further influence the thermal stresses experienced by the converter:

- Ambient temperature
- Air velocity
- Thermal efficiency of the end system application
- Parts mounted on system PCB that may block airflow
- Real airflow characteristics at the converter location

8.2 Safe Operating Area Curves

Thermal characterisation data is presented in the datasheet in a safe operating area curve format which is repeated here in Figure 12. This SOA curve shows the load current versus the ambient air temperature and velocity.



**Figure 12 - Safe Operating Curve
PTH05020W $V_{out} = 3.3V$**

8.3 Thermal Test Set-up

All of the data was taken with the converter soldered to a test board which closely represents a typical application. The test board is a 1.6mm, eight layer FR4 pcb with the inner layers consisting of 2oz power and ground planes. The top and bottom layers contain a minimal amount of metalisation. A board to board spacing of 1 inch was used. The data represented by the 0m/s curve indicate a natural convection condition i.e. no forced air. However, since the thermal performance is heavily dependent upon the final system application, the user needs to ensure the thermal reference point temperatures are kept within the recommended temperature rating. It is recommended that the thermal reference point temperatures are measured using either AWG #36 or #40 gauge thermocouples or an IR camera. In order to comply with stringent Artesyn de-rating criteria, the ambient temperature should never exceed 85°C. Please contact Artesyn Technologies for further support.

9. Use in a Manufacturing Environment

9.1 Recommended Land Pattern

It is recommended that the customer uses a solder mask defined land pattern similar to that shown in Figures 12 and 13.

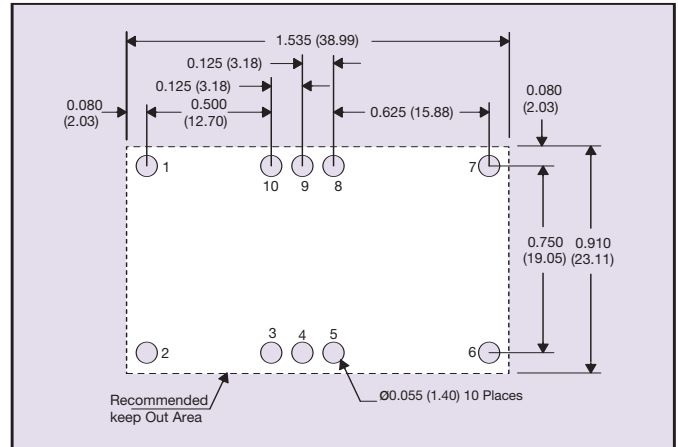


Figure 13 - Recommended Land Pattern (Through - Hole Model)

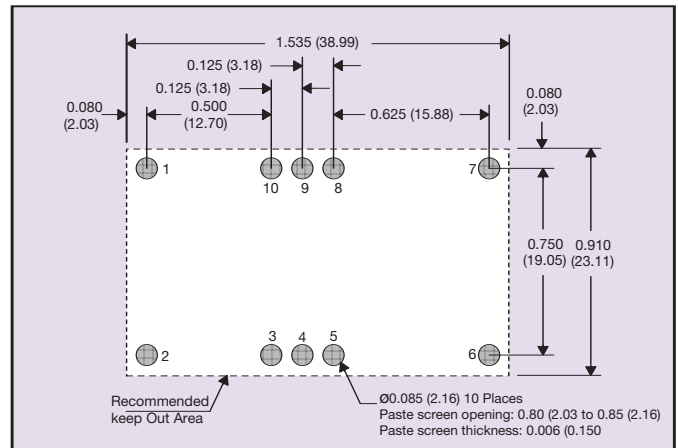


Figure 14 - Recommended Land Pattern (Surface Mount Model)

Power pin connection should utilize four or more vias to the interior power plane of 0.025 (0.63) I.D. per input, ground an doutput pin (or the electrical equivalent).

As a surface-mount power component, interconnection to internal power planes will typically be required. This is accomplished by placing a number of vias between the SMT pad and the relevant plane. the number and exact location of these vias should be determined based on electrical resistivity, current flow and thermal requirements.

10. Auto-Track™

10.1 Auto-Track™ Function

The Auto-Track™ function is unique to the PTH family, and is available with the all “Point-of-Load Alliance” (POLA) products. Auto-Track was designed to simplify the amount of circuitry required to make the output voltage from each module power up and power down in sequence. The sequencing of two or more supply voltages during power up is a common requirement for complex mixed-signal applications, that use dual-voltage VLSI ICs such as DSPs, micro-processors, and ASICs.

10.2 How Auto-Track™ Works

Auto-Track™ works by forcing the module’s output voltage to follow a voltage presented at the Track control pin. This control range is limited to between 0V and the module’s set-point voltage. Once the track-pin voltage is raised above the set-point voltage, the module’s output remains at its set-point¹. As an example, if the Track pin of a 2.5V regulator is at 1V, the regulated output will be 1V. But if the voltage at the Track pin rises to 3V, the regulated output will not go higher than 2.5V.

As the regulated output from the module simply follows the voltage at the Track pin, it is able to ‘track’ virtually any voltage source during the power-up sequence². This can be the rising voltage of an externally generated master ramp waveform, or the output voltage from another power supply circuit³. For convenience, each Track pin is also provided with an internal RC charge circuit that can produce a compatible voltage ramp from the input source voltage.

10.3 Typical Application

The simplest implementation of Auto-Track™ is to connect the Track control pins of two or more compliant PTH modules together. This forces the Track pins of the modules to follow the same collective internal RC ramp waveform, and also allows them to be controlled through a single transistor or switch.

To initiate a power-up sequence, it is recommended that the Track control be first pulled to ground potential. This should be done at or before input power is applied to the modules, and then held for at least 20ms⁴ thereafter. This brief period gives the modules time to complete their internal soft-start initialization. Applying a logic level high signal to the circuit’s ON/OFF Control turns Q1 on and applies a ground signal to the Track pins. After completing their internal soft-start initialization, the output of all modules will remain at zero volts while Q1 is on.

20ms after a valid input voltage has been applied to the modules, Q1 may be turned off. This allows the track control voltage to automatically rise toward to the modules’ input voltage. During this period the output voltage of each module will rise in unison with other modules, to its respective set-point voltage.

Figure 15 shows the output voltage waveforms from the circuit of Figure 15 after the ON/OFF Control is set from a high to a low-level voltage. The waveforms, V_{o1} and V_{o2} represent the output voltages from the two power modules, U1 (3.3V) and U2 (2.0V) respectively. V_{o1} and V_{o2} are shown rising together to produce the desired simultaneous power-up characteristic.

The same circuit also provides a power-down sequence. Power down is the reverse of power up, and is accomplished by lowering the track control voltage back to zero volts. The important constraint is that a valid input voltage must be maintained until the power down is complete. It also requires that Q1 be turned off relatively slowly. This is so that the Track control voltage does not fall faster than Auto-Track’s slew rate capability, which is 5V/ms. The components R1 and C1 in Figure 15 limit the rate at which Q1 can pull down the Track control voltage. The values of 100k Ω and 0.047 μ F correlate to a decay rate of about 0.6V/ms.

The power-down sequence is initiated with a low-to-high transition at the On/Off Control input to the circuit. Figure 15 shows the power-up and power-down waveforms. As the Track control voltage falls below the nominal set-point voltage of each power module, then its output voltage decays with all the other modules under Auto-Track™ control.

Notes of the Use Auto-Track™

1. The Track pin voltage must be allowed to rise above the module’s set-point voltage before the module can regulate at its adjusted set-point voltage.
2. The Auto-Track™ function will track almost any voltage ramp during power up, and is compatible with ramp speeds of up to 5V/ms.
3. The absolute maximum voltage that may be applied to the Track pin is V_{in} .
4. The module output will not follow the voltage at the Track pin until the module has completed its soft-start cycle. The soft-start-cycle takes up to about 20 ms to complete. During this time it is recommended that the Track pin be held at ground potential.
5. After the soft-start sequence is complete, the module is capable of both sinking and sourcing current when following the voltage at the Track pin.

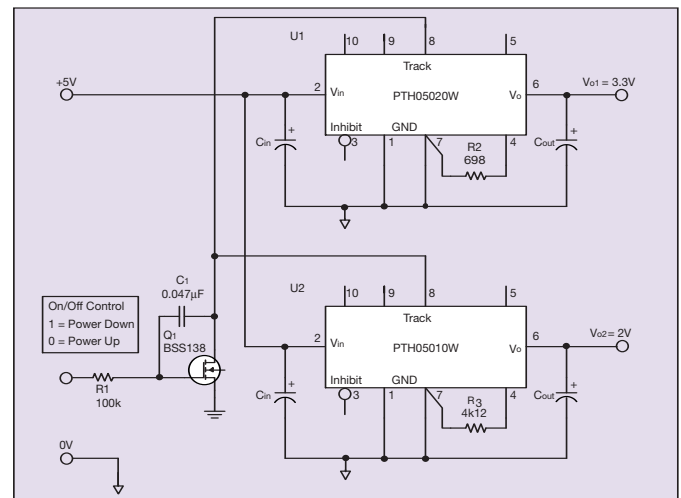


Figure 15 - Sequenced Power Up and Power Down Using Auto-Track™

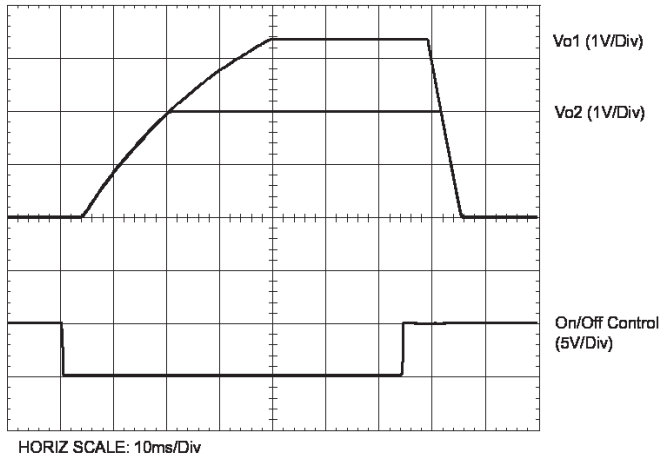


Figure 16 - Power Up & Power Down Waveforms

Application Note © Artesyn Technologies® 2005

The information and specifications contained in this Application Note are believed to be correct at time of publication. However, Artesyn Technologies accepts no responsibility for consequences arising from printing errors or inaccuracies. The information and specifications contained or described herein are subject to change in any manner at any time without notice. No rights under any patent accompany the sale of any such product(s) or information contained herein.