



Product Service

# CERTIFICATE

No. Z2 013890 3309 Rev. 00

**Holder of Certificate:** **Astec International Ltd.**  
16th Floor, Lu Plaza, 2 Wing Yip Street  
Kwun Tong  
Kowloon  
HONG KONG

**Certification Mark:**



**Product:** **Switching power supply unit  
(Switching Power Supply for building-in)**

The product was tested on a voluntary basis and complies with the essential requirements. The certification mark shown above can be affixed on the product. It is not permitted to alter the certification mark in any way. In addition, the certification holder must not transfer the certificate to third parties. This certificate is valid until the listed date, unless it is cancelled earlier. All applicable requirements of the testing and certification regulations of TÜV SÜD Group have to be complied. For details see: [www.tuvsud.com/ps-cert](http://www.tuvsud.com/ps-cert)

**Test report no.:** 6821020115901

**Valid until:** 2026-01-18

**Date,** 2021-01-20

( Yager Bi )



# CERTIFICATE

No. Z2 013890 3309 Rev. 00

**Model(s):** 73-580-0001i, iMP8-abbc-abbc-abbc-abbc-abbc-abbc-xx  
(See below table for details of model description)

### Parameters:

Rated Input: 100-240/200-240VAC, 50/60Hz, 20/12A or 120-300/254-300VDC, 20/12A

Rated DC Output: See below table for details

Protection Class: I

Degree of Protection: IPX0

Construction: Built-in

### Remarks:

- When installing the equipment, all requirements of the mentioned standard must be fulfilled.
- Refer to the installation and operating instruction from manufacturer for the details of loading condition and operating temperature.
- Clearance distance was evaluated for operating altitude up to 3048m above sea level.
- These power supplies contain output with hazardous power source, when installing into end system, care must be taken that the output and associated wire(s) may not be touched.
- Built-in type equipment, suitable enclosure should be provided in end system.
- These power supplies have been tested according to EN 60601-1:2006/A1:2013 with the following conditions:
  - The output was not evaluated as patient connected circuits.
  - Compliance with the requirements for EMC shall be evaluated for the end use product.
  - These products have been investigated only as a component part for use in equipment where the suitability of the combination is subject to end product investigation.
  - These power supplies must be installed in accordance with the instruction manual.
  - These power supplies are designed to be protectively earthed. Earthing connection and continuity test shall be checked in end product.
  - The leakage current test shall be checked in end product.
  - The risk management requirements of the standard were not addressed.
  - Clearance/creepage distance and dielectric strength were evaluated and fulfilled the requirements for MOPP.

### For 73-580-0001i:

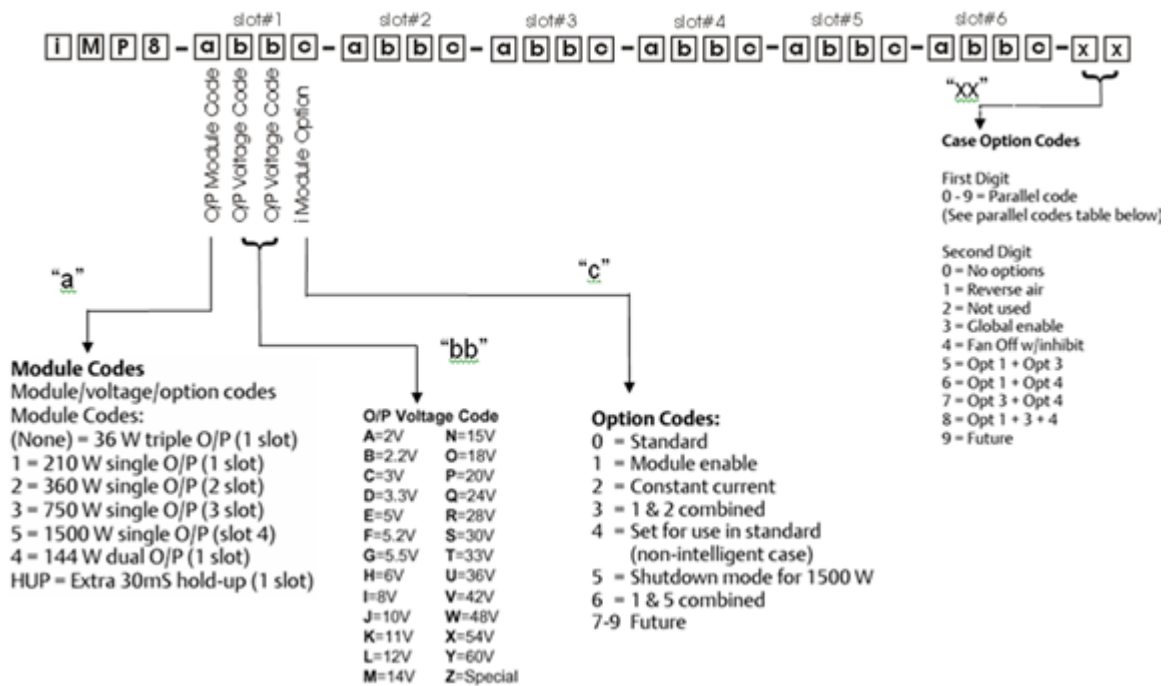
Outputs	Rated output power or current	
	For 200-240VAC or 254-300VDC input	For 100-240VAC or 120-300VDC input
+375 to +395V	1500W	1200W
+5Vsb	1.0A	1.0A
+18M1Vcc	0.1A	0.1A
+18M2Vcc	0.1A	0.1A
+18M3Vcc	0.1A	0.1A
+18M4Vcc	0.1A	0.1A
+18M5Vcc	0.1A	0.1A
+18M6Vcc	0.1A	0.1A
Total Output Power:	1515.8W	1215.8W

# CERTIFICATE

No. Z2 013890 3309 Rev. 00

**For iMP8 Series:**

- Maximum output power (excluding +5Vsb) at 200-240VAC or 254-300VDC input: 1200W
- Maximum output power (excluding +5Vsb) at 100-240VAC or 120-300VDC input: 1000W
- Model Configuration:



**Tested according to:**

EN 62368-1:2014/A11:2017  
EN 60601-1:2006/A1:2013

**Production Facility(ies):**

028532, 049489, 062777, 064622, 072064, 080379, 080898, 085205, 092570, 094674, 102651, 109634